

**Low Skew CMOS PLL Clock Driver**
**Features**

- Wide frequency range: 100 MHz max.
- Five Q and one Q/2 outputs
- Output skew <250 ps (rising edges)
- Internal RC loop filter network
- Low noise TTL-compatible outputs
- Balanced drive outputs:  $\pm 24$  mA
- Outputs tri-state and registers reset when OE = LOW
- PLL bypass for testing and low-frequency applications
- Small footprint 20-pin QSOP package (Q)

**Description**

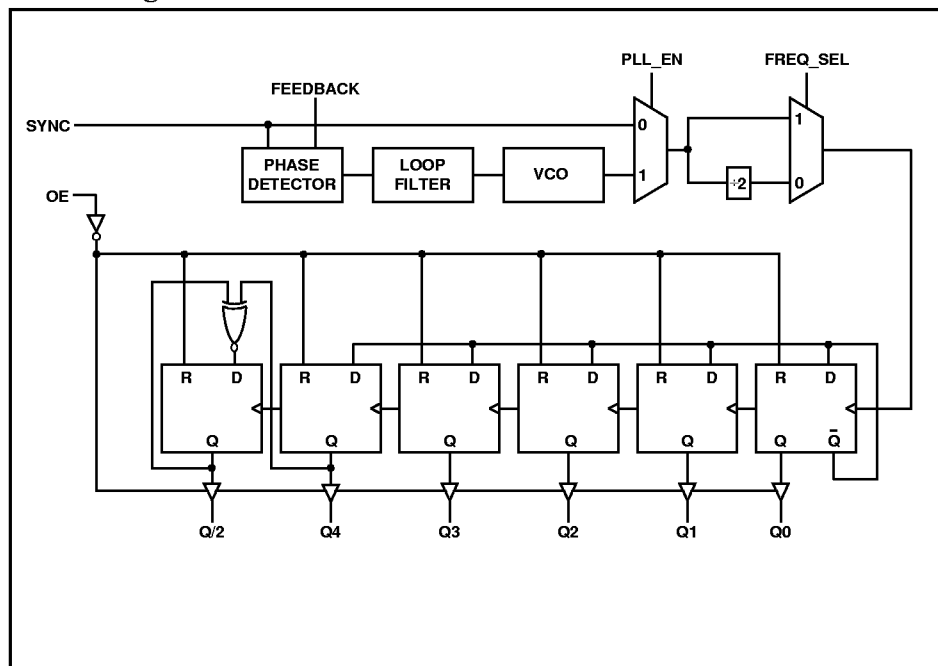
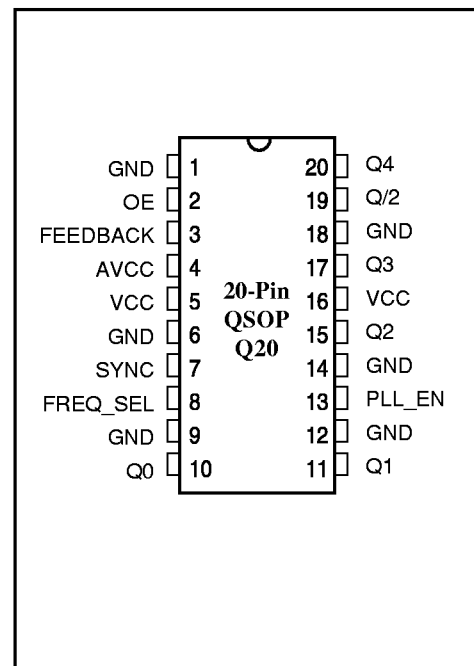
The PI6C5930 clock driver uses a PLL (phase-locked loop) to reduce time skew between a reference clock input (SYNC) and the outputs. An internal loop filter eliminates the need for external compensation. This driver generates six clock outputs: Q0 through Q4 running at the same frequency, plus Q/2 which runs at one half the frequency of Q0-Q4.

Thanks to design improvements, the PI6C5930 is capable of generating highly stable frequencies up to 100 MHz, while maintaining less than 250 ps skew between outputs.

When **FREQ\_SEL** = HIGH, applying either one of the Q0-Q4 outputs to the **FEEDBACK** pin results in five copies of the reference input. If Q/2 is applied to the **FEEDBACK** pin, five clocks at double the reference input are created.

The output enable (OE) function may be used to turn all outputs off and save power. The **FREQ\_SEL** input is set to LOW if the SYNC frequency is lower than 30 MHz, otherwise it should be set HIGH.

The **PLL\_EN** function can be used for testing and to bypass the PLL in low frequency applications.

**Block Diagram**

**Pin Configuration**


### Absolute Maximum Ratings

Supply Voltage to Ground .....	-0.5V to +7.0V
DC Input Voltage $V_{IN}$ .....	-0.5V to +7.0V
AC Input Voltage (for a pulse width $\leq 20$ ns) .....	-3.0V
Maximum Power Dissipation .....	1.0 W
Storage Temperature .....	-65°C to +150°C

**Note:**

Stresses greater than those listed under Absolute Maximum Ratings may cause permanent damage to the device. This is a stress rating only and functional operation of the device at these or any other conditions above those indicated in the operational sections of this specification is not implied. Exposure to absolute maximum rating conditions for extended periods may affect reliability.

### Pin Description

Pin Name	I/O	Functional Description
SYNC	I	Synchronizing Reference Clock Input.
FREQ_SEL	I	Frequency Select. Chooses optimal VCO operating frequency. HIGH is for frequencies >30 MHz, LOW is for frequencies < 30 MHz.
FEEDBACK	I	Feedback Input. Connected to either a Q or a Q/2 output. See the Frequency Selection Table for more information.
Q0-Q4	O	Clock Outputs.
Q/2	O	Clock Output. Synchronized, but runs at half the Q frequency.
OE	I	Output Enable. HIGH = outputs active. LOW = all outputs held in a tri-stated condition and output registers are reset.
PLL_EN	I	PLL Enable. Enables and disables the PLL. When LOW it allows the SYNC input to be passed through for system testing.

### Output Frequency Specifications (Commercial: $T_A = 0^\circ\text{C}$ to $70^\circ\text{C}$ , $V_{CC} = 5.0\text{V} \pm 5\%$ )

Symbol	Description	PI6C5930-50	PI6C5930-66	PI6C5930-80	PI6C5930-10	Units
FQ	Maximum frequency, Q0-Q4 outputs	50	66	80	100	MHz
FQ/2	Maximum frequency, Q/2 output	25	33	40	50	

### Frequency Selection Table

FREQ_SEL	Output Used for Feedback	Allowable SYNC <sup>(1)</sup> Range (MHz)		Output Frequency Relationships	
		Min.	Max.	Q Outputs	Q/2
1	Q/2	5	$F_Q \div 2$	$\text{SYNC} \times 2$	SYNC
1	Q0-Q4	10	$F_Q$	SYNC	$\text{SYNC} \div 2$
0	Q/2	2.5	$F_Q \div 4$	$\text{SYNC} \times 2$	SYNC
0	Q0-Q4	5	$F_Q \div 2$	SYNC	$\text{SYNC} \div 2$

**Notes:**

1. Operation in the specified SYNC frequency range guarantees that the VCO will operate in its optimal frequency range. Operation with SYNC outside the specified frequency ranges may result in invalid or out-of-lock outputs.

**DC Electrical Characteristics Over Operating Range** ( $T_A = 0^\circ\text{C}$  to  $70^\circ\text{C}$ ,  $V_{CC} = 5.0\text{V} \pm 5\%$ )

Symbol	Parameter	Test Conditions	Min.	Typ. <sup>(1)</sup>	Max.	Unit
V <sub>IH</sub>	Input HIGH Voltage	Guaranteed Logic HIGH Level	2.0	—	—	V
V <sub>IL</sub>	Input LOW Voltage	Guaranteed Logic LOW Level	—	—	0.8	
V <sub>OH</sub>	Output HIGH Voltage	V <sub>CC</sub> = Min., I <sub>OH</sub> = -24 mA V <sub>CC</sub> = Min., I <sub>OH</sub> = -100 $\mu\text{A}$	2.4 3.0	— —	— —	
V <sub>OL</sub>	Output LOW Voltage	V <sub>CC</sub> = Min., I <sub>OH</sub> = 24 mA V <sub>CC</sub> = Min., I <sub>OH</sub> = 100 $\mu\text{A}$	— —	— —	0.55 0.2	
I <sub>OZ</sub>	Output Leakage Current	V <sub>OUT</sub> = V <sub>CC</sub> or V <sub>OUT</sub> = GND, V <sub>CC</sub> = Max., Outputs Disabled	-5	—	5	$\mu\text{A}$
I <sub>IN</sub>	Input Leakage Current	V <sub>IN</sub> = V <sub>CC</sub> or V <sub>IN</sub> = GND V <sub>CC</sub> = Max	-5	—	5	

**Note:**

1. Typical values indicate  $V_{CC} = 5.0\text{V}$  and  $T_A = 25^\circ\text{C}$ .

**Power Supply Characteristics**

Symbol	Parameter	Test Conditions <sup>(1)</sup>	Typ	Max	Unit
$\Delta\text{ICC}$	Input Power Supply Current per TTL Input HIGH	V <sub>CC</sub> = Max., V <sub>IN</sub> = 3.4V	—	1.5	mA
I <sub>CCD</sub>	Dynamic Power Supply Current per Output <sup>(2)</sup>	V <sub>CC</sub> = Max.	—	0.1	mA/MHz

**Notes:**

1. For Min. or Max. conditions, use the appropriate values specified under DC specifications.
2. Guaranteed but not tested.
3. For all DC parameters, test conditions assume no output loading.

**Input Timing Requirements** ( $T_A = 0^\circ\text{C}$  to  $70^\circ\text{C}$ ,  $V_{CC} = 5.0\text{V} \pm 5\%$ )

Symbol	Description <sup>(1)</sup>	Min.	Max.	Unit
t <sub>R</sub> , t <sub>F</sub>	Maximum Input Rise and Fall Times, 0.8V to 2.0V	—	3.0	ns
F <sub>I</sub>	Input Clock Frequency, SYNC <sup>(1)</sup>	5	F <sub>Q</sub>	MHz
t <sub>PWC</sub>	Input Clock Pulse, HIGH or LOW	2	—	ns
D <sub>H</sub>	Duty Cycle, SYNC	25%	75%	%

**Note:**

1. The F<sub>I</sub> specification is based on Q output feedback. See Frequency Selection Table for more detail on allowable SYNC input frequencies for different feedback combinations.

**Capacitance** ( $T_A = 25^\circ\text{C}$ ,  $f = 1\text{ MHz}$ , V<sub>IN</sub> = 0V, V<sub>OUT</sub> = 0V)

Pins	QSOP		Unit
	Typ.	Max.	
C <sub>IN</sub>	3	4	pF
C <sub>OUT</sub>	7	9	

**Note:**

Capacitance is characterized but not tested.

### Switching Characteristics Over Operating Range

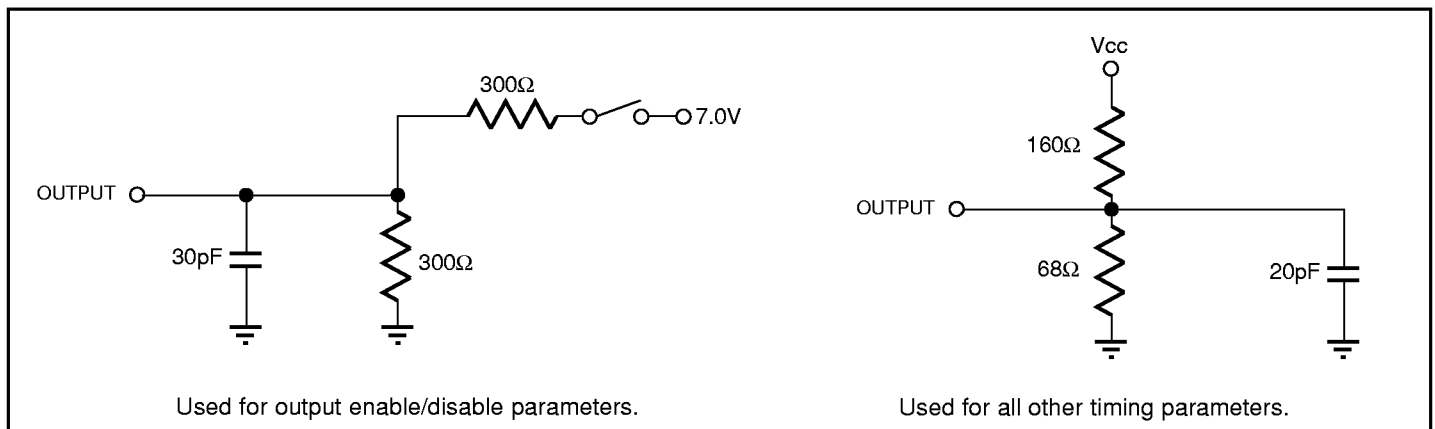
( $T_A = 0^\circ\text{C}$  to  $70^\circ\text{C}$ ,  $V_{CC} = 5.0\text{V} \pm 5\%$ )

Symbol	Description <sup>(1)</sup>	Min.	Typ.	Max.	Unit
t <sub>SKR</sub>	Output Skew Between Rising Edges, Q4-Q0 and Q/2 <sup>(2,3)</sup>	—	—	250	ps
t <sub>SKF</sub>	Output Skew Between Falling Edges, Q4-Q0 <sup>(2,3)</sup>	—	—	350	
t <sub>PW</sub>	Pulse Width <sup>(2)</sup>	T <sub>cy</sub> /2-0.4	—	T <sub>cy</sub> /2+0.4	ns
t <sub>J</sub>	Cycle to Cycle Jitter, 33 MHz <sup>(5)</sup>	—	—	250	ps
t <sub>PD</sub>	SYNC Input Feedback Delay, 10 MHz	-100	—	400	
t <sub>PD</sub>	SYNC Input Feedback Delay, 33 MHz, 50Ω to 1.5V <sup>(2)</sup>	-100	—	400	
t <sub>LOCK</sub>	SYNC to Phase Lock <sup>(2)</sup>	—	—	10	ms
t <sub>PZH</sub> , t <sub>PZL</sub>	Output Enable Time, OE HIGH to Low-Z <sup>(4)</sup>	0	—	7	ns
t <sub>PHZ</sub> , t <sub>PLZ</sub>	Output Disable Time, OE LOW to High-Z <sup>(4)</sup>	0	—	6	
t <sub>R</sub> , t <sub>F</sub>	Output Rise and Fall Times, 0.8V to 2.0V <sup>(2)</sup>	0.4	—	1.5	

#### Notes:

1. See Test Circuit and Waveforms. Minimums guaranteed but not tested.
2. This parameter is guaranteed by design but not tested.
3. Skew specifications apply under identical environments (loading, temperature, V<sub>CC</sub>, device speed grade).
4. Measured in open loop mode PLL\_EN = 0.
5. Jitter is characterized using a time interval analyzer. Characterized but not tested. See FREQUENCY SELECTION TABLE for information on proper FREQ\_SEL level for specified SYNC input frequencies.

#### Test Loads



#### Ordering Information

P/N	Max. Output Freq.	Pkg.
PI6C5930-50Q	50 MHz	20-pin QSOP
PI6C5930-66Q	66 MHz	20-pin QSOP
PI6C5930-80Q	80 MHz	20-pin QSOP
PI6C5930-10Q	100 MHz	20-pin QSOP